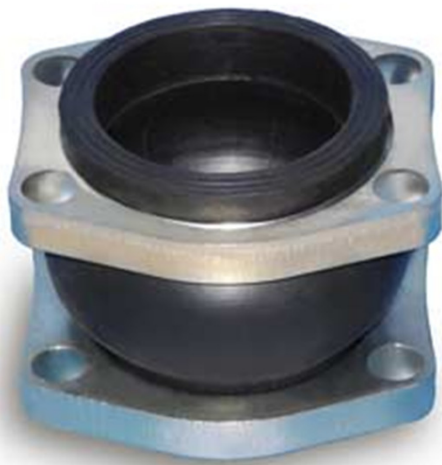


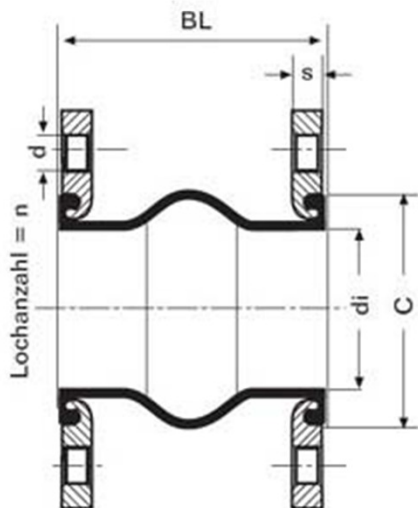
RUBBER EXPANSION JOINT NBR SAE 3000



Type SAE3000 Gummikompensator

WP10 bar at working temp 80°C
 Bellow NBR with outside rubber Neoprene (CR)
 Nylon cord
 Loose flanges SAE3000 electro galvanized RSt37-2

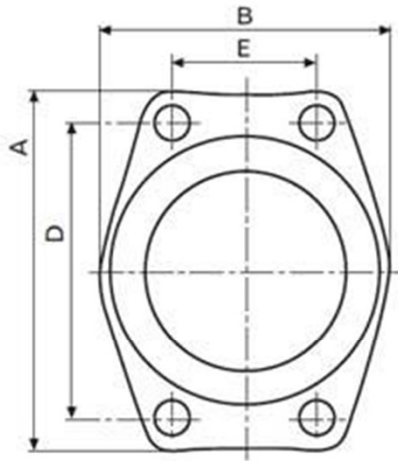
Bellow



DN	Ø di mm	Ø C mm	BL mm	axial mm	lateral mm	angular mm
25	1"	24	46	65	+10 / -20	+/- 10
32	1 1/4"	32	53	65	+10 / -20	+/- 10
40	1 1/2"	40	64	100	+10 / -20	+/- 10
50	2"	50	73	100	+10 / -20	+/- 10
65	2 1/2"	65	89	100	+10 / -20	+/- 10
80	3"	80	102	100	+10 / -20	+/- 10
80	3 1/2"	80	102	100	+10 / -20	+/- 10
100	4"	100	130	100	+10 / -20	+/- 10
125	5"	121	166	130	+10 / -20	+/- 10

Also available in building length 130 mm

Rubber expansion joint NBR SAE 3000 flange data



DN	A	B	D	E	s	n x Ø d mm
25	1"	70	55	52,4	26,2	11 4 x 11
32	1 ¼"	80	70	58,7	30,2	11 4 x 13
40	1 ½"	90	80	70,0	35,7	13 4 x 13
50	2"	100	90	77,8	42,9	13 4 x 13
65	2 ½"	115	105	89,0	50,8	14 4 x 13
80	3"	132	120	106,4	62,0	14 4 x 17
80	3 ½"	146	130	120,6	70,0	14 4 x 17
100	4"	156	140	130,2	77,8	16 4 x 17
125	5"	184	165	152,4	92,0	16 4 x 17